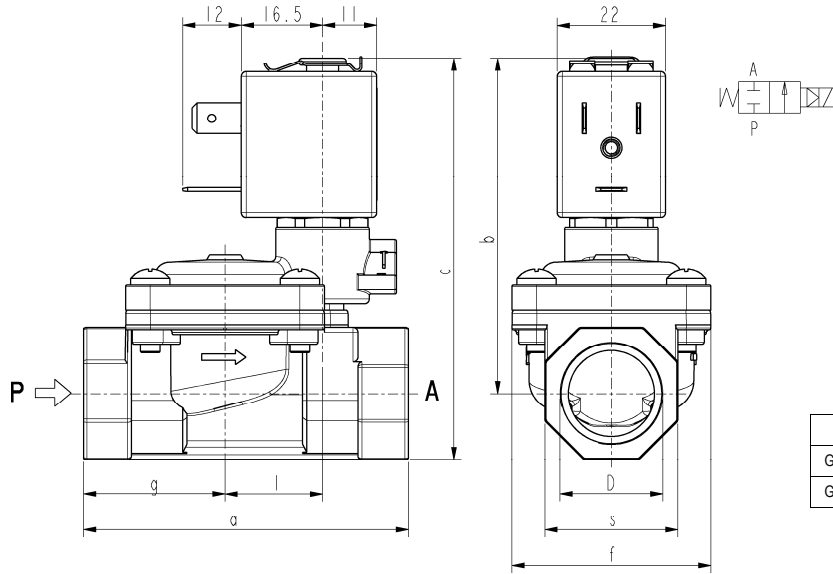




SOLENOID VALVE
2/2- NC (Normally closed)
 Pilot operated
G3/8 - G1/2

L182
STAINLESS STEEL



D	a	b	c	f	g	l	s
G 3/8	60	66	77	40	25,5	20	22
G 1/2	66	68	82	40	29	20	27

► GENERAL FEATURES

Diaphragm valve, pilot operated, having full orifice.
 Suitable to shut off liquid and gaseous fluids (verify the compatibility of fluid with material in contact).

► TECHNICAL FEATURES

Maximum allowable pressure (PS)	20bar
Opening time	from ~300ms to ~1500ms
Closing time	from ~1000ms to ~2000ms
Fluid temperature	-10°C +90°C (NBR) 0°C +130°C (FPM) -10°C +140°C (EPDM)
Max viscosity	5°E (~37 cStokes o mm ² /s)

► MATERIALS IN CONTACT WITH FLUID

Body	Stainless steel AISI 316L
Sealing	NBR or FPM or EPDM
Internal components	Stainless steel
Seat	Stainless steel AISI 316L
Core tube	Stainless steel
Shading coil	Copper

► COIL

Approval	UL and CSA
Encapsulation material	PET fiberglass reinforced
Insulation class	F (155°C) H (180°C)
Ambient temperature	-10°C +60°C -10°C +75°C
Continuous duty	ED 100%
Electric connection	DIN 46340- 3 poles plug connector
Protection degree	IP 67 (EN 60529) with plug connector
Voltages	DC 12-24V (+10% -5%) AC 24V/50-60Hz - 115V/50Hz - 230V/50-60Hz (+10% -15%)

On request

Approval	UL
Voltages	AC 220-230V/50Hz 208-240V/60Hz (+10% -15%)

ZB12A		ZB14A	
UL and CSA			
PET fiberglass reinforced			
F (155°C)		H (180°C)	
-10°C +60°C		-10°C +75°C	
ED 100%			
DIN 46340- 3 poles plug connector			
IP 67 (EN 60529) with plug connector			
DC 12-24V (+10% -5%)		AC 24V/50-60Hz - 115V/50Hz - 230V/50-60Hz (+10% -15%)	
(Other voltages and frequencies on request)			
ZB12Y		ZB14Y	
UL			
220-230V/50Hz		208-240V/60Hz (+10% -15%)	

NON STANDARD

Port size ISO 228	Orifice size (mm)	Differential pressure (bar)				Kv (m ³ /h)	Series and type			Power absorption				Sealings	Notes	Weight (kg)	
		Δp min	Δp max				Valve	Valve with manual override	Coil	AC (VA)			DC				
			Gases		Liquids					Inrush	Holding						
			AC	DC	AC						DC	VA					VA
3/8	13,5	0,35															
1/2			16 (12)	16 (12)	16 (12)	16 (12)	L182(*)09	L182(*)10	ZB12A	12	6	4	5,5	(*) = B (NBR) (*) = V (FPM) (*) = D (EPDM)	1	0,300 0,345	

► NOTES

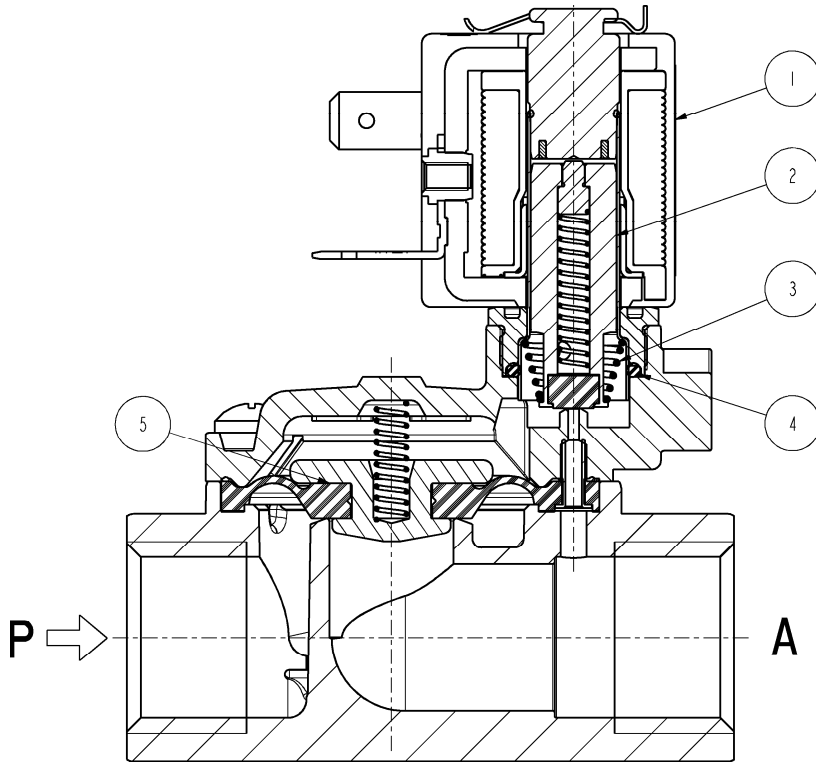
- Sealings: B(NBR) = Nitrile-butylene elastomer V(FPM) = Fluoro-carbon elastomer D(EPDM)=Ethylene-propylene elastomer (WRAS/KTW certified compound)
- Operation with gaseous media , at high pressure without any outlet restriction, can reduce the diaphragm life.
- On request coil in class H (ZB14A – see § "COIL")
- The bracketed values of Δp max are related to valves with V(FPM) seals.
- 1 - Low power consumption coil on request (3,5 VA in AC – 3W in DC): Δp max = 12 bar

L182

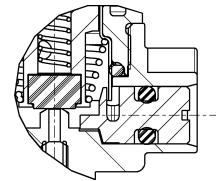
STAINLESS STEEL

► SPARE PARTS

L182B-V-D-09



L182B-V-D-10



NON STANDARD

Kit description

Kit P.N.

Consisting of:

Core kit	L182B-V	G3138201
	L182D	G3138202
Diaphragm assembly	L182B 3/8-1/2	298593-003R
	L182V 3/8-1/2	298593-001R
	L182D 3/8-1/2	298593-002R
Coil	ZB12	
	ZB14	

- Core kit pos.2
- Core return spring pos. 3
- O-Ring guide assembly pos. 4
- Diaphragm assembly pos.5
- Coil pos.1

► INSTALLATION

- Solenoid valve can be mounted in any position; vertical with coil upwards preferred.

THE VALIDITY OF REPORTED DATA IS REFERRED TO THE DATE OF ISSUE. POSSIBLE UPDATING ARE AVAILABLE ON REQUEST